

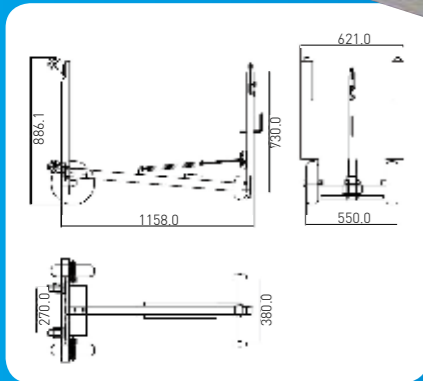
Accessories

Housing structure and frameworks of machines were designed by user oriented concepts and they are quite compatible with other X-RAY devices as well as our own equipment.

PXMS-2010

Simplified Stand for Portable X-ray. Competitive price with wide range of use.

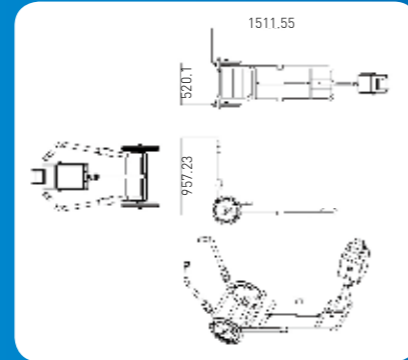
PXP-40HF, PXP-60HF, PXP-100CA, PXM-40BT



PXMS-1900

Strong and sleek body, Superior mobility. Folded and carried in a van.

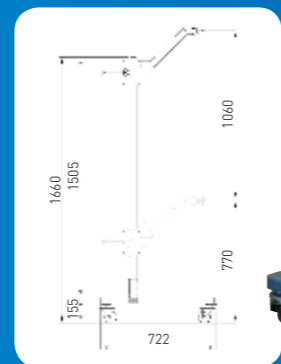
PXP-100CA



PXMS-1800/1800 Plus

Well designed Stand usable for wide range of Portable units.

PXP-16HF, PXP-20HF Plus, PXP-40HF, PXP-60HF, VET-20BT, PXM-20BT, PXM-40BT



PORTABLE CASE

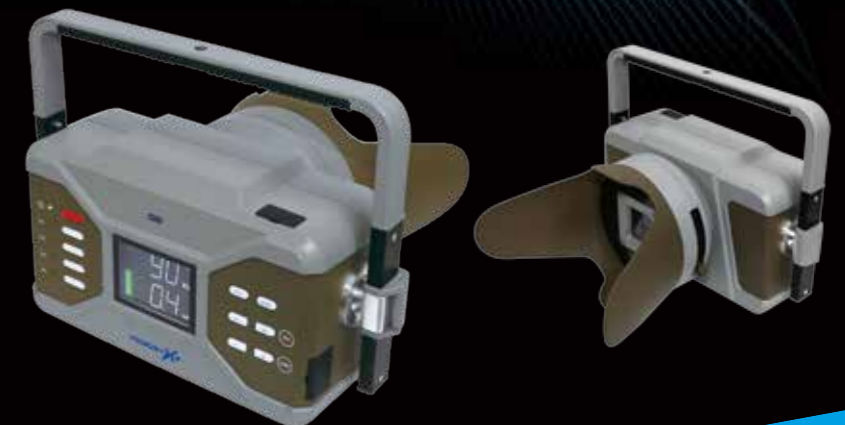
Strong Carrying Case For all Portable Models.



The Frontier Spirit, Technical Pioneer of X-ray

Portable X-Ray Generator

For Human



PXP Series

PXP series are the most compact and light weighted system with powerful strength.

The precise imaging system is necessary even if you are in outdoor.



Up to 110kV, Reliable solution. The Poskom portable system with strong power capacity, can help you to realize brilliant clinical images regardless of any thickness. Especially PXP-100CA is applied Ultra capacitor (5.0kW, 100mA, 110kV) which has improved the both; the stability of power supplies & the output of portable X-ray.

For Your using possibility

Output capacity varies from 1.6kW to 5.0kW so that you can choice each model according to their needs. This various model makes many more efficient way to compose your own X-ray system. And your convenience, our engineering team concentrates on the user, you.

- Remote control function(Exclusive)
- Compact and solid outer case
- Display reverse switch
- SID measuring tape
- Built-in distance laser beam guider



PXP-100CA

Specifications	AC Power High Frequency Portable X-ray			
Model	PXP-20HF PLUS	PXP-40HF	PXP-60HF	PXP-100CA
Max. Output (KW)	1.6	2.4	3.2	5
KV range per 1kV step	40~100	40~100	40~100	40~110
Max. mA	~20	~35	~60	~100
mAs Range/No. of step	0.3~50 / 33Steps	0.4~100 / 25Steps	0.4~100 / 25Steps	0.1~100 / 38Steps
Tube Focal Spot (mm)	1.2 * 1.2	1.2 * 1.2	2 * 2	1.8 * 1.8
Target Angle	16°	16°	20°	15°
Power Supply	100~120V / 200~240V	100~120V / 200~240V	200~240V	100~120V / 200~240V
No. of APR	4	8	8	30
Weight (kg)	9.8	12.8	13	20.4
Packing Dimension	640 * 400 * 390	640 * 400 * 390	640 * 400 * 390	760 * 480 * 500

PXM Series and KLIZER

Perfect Concept For Portables With Battery. Save your time!!! Without power cable, it can reduce your ready time more than 30%.

Innovative Battery Power

Approximately 400 exposure can be approximately 400 exposures can be executed by one full charging of battery. Under low battery, forcible exposure function can be activated according to guided operation method.



- 3.5 hours up to full electrification, energy saving mode accessible
- Independent charging of battery pack, easy assembly for A/S
- Stable function and long life of battery, protection circuit inside
- Energy balance indicator displays the condition of battery
- Rechargeable by solar cell and car jack

High quality image

Is available without sacrificing high quality image.

- Superior high frequency inverter type generator
- Stable mA & kV Feedback maintaining Controller without Errors against frequent exposures
- Remarkable Reproducibility of X-Ray

Patented Technology

Portable X-ray Device Using Battery Power.



DISPLAY REVERSE SWITCH

(Standard for all models)
This switch makes easy reading of digits from opposite side.

BUILT-IN DISTANCE LASER BEAM GUIDER

(optional for veterinary use)
This function by dual laser will help you fine the best distance for perfect image.

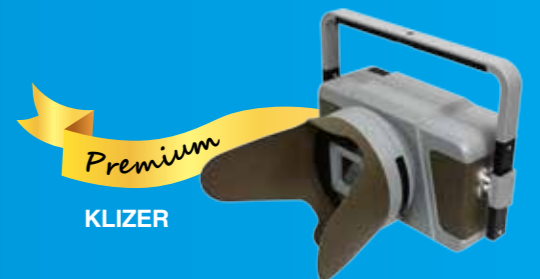
EXCLUSIVE REMOTE CONTROL FUNCTION (Patented)

It allows the total control of technical values by hand switch without placing your unit on the ground.



HUM-20BT

Specifications	Battery Power High Frequency Portable X-ray		
Model	HUM-20BT	PXM-20BT PLUS	PXM-40BT PLUS
Max. Output (KW)	1.6	1.6	2.4
KV range per 1kV step	50~90	40~100	40~100
Max. mA	~20	~20	~35
mAs Range/No. of step	0.4~20 / 25Steps	0.4~50 / 32Steps	0.4~100 / 35Steps
Tube Focal Spot (mm)	1.2 * 1.2	1.2 * 1.2	1.2 * 1.2
Target Angle	19°	16°	16°
Battery	14.8V / 4800mAh	14.8V / 4800mAh	14.8V / 4800mAh
Charging Time	3.5 hours	3.5 hours	3.5 hours
No. of APR	15	15	21
Weight (kg)	6.8	11.5	14.9
Packing Dimension (mm)	510 * 360 * 390	510 * 360 * 370	580 * 400 * 400



KLIZER

Specifications	New Tech/Design
Model	KLIZER
Max. Output (KW)	1.6
KV range per 1kV step	50~90
Max. mA	~20
mAs Range/No. of step	0.4~20 / 25Steps
Tube Focal Spot (mm)	1.2 * 1.2
Target Angle	19°
Battery	3.7V / 4500mAh
Charging Time	4 hours
No. of APR	4
Weight (kg)	5.0
Packing Dimension (mm)	510 * 360 * 370